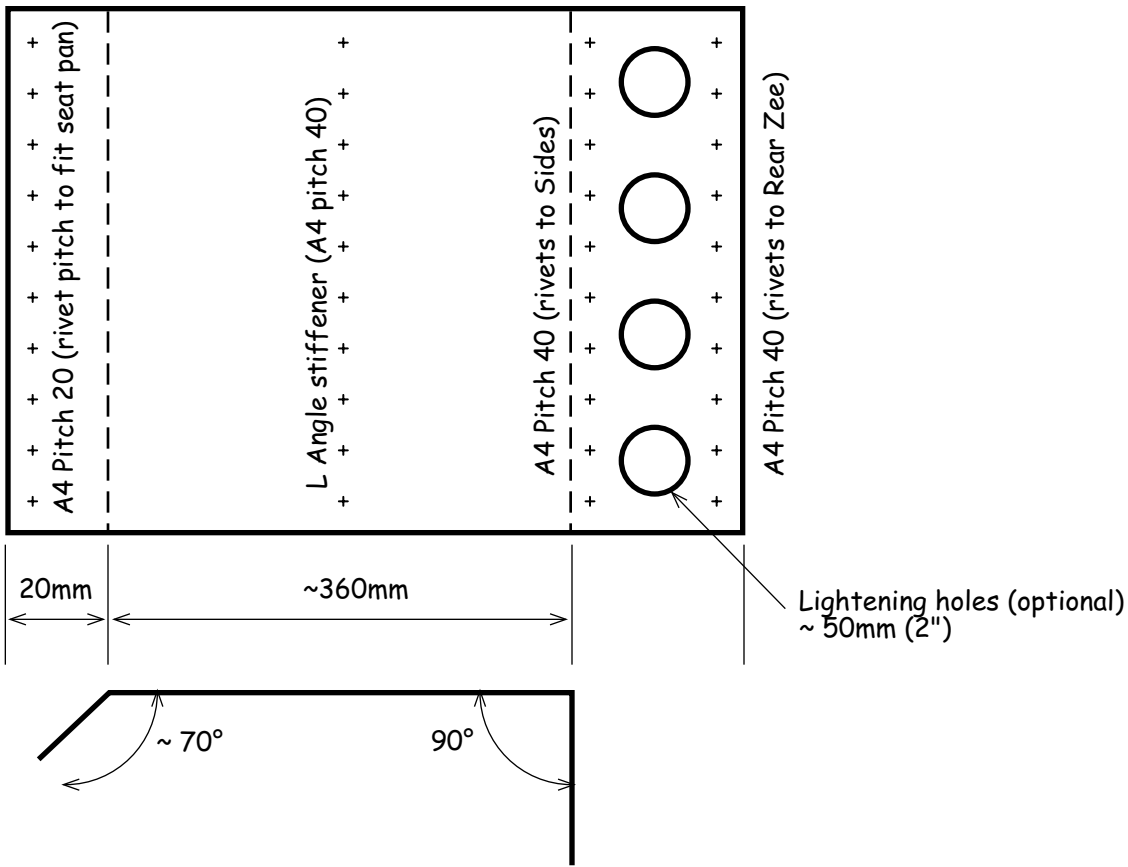


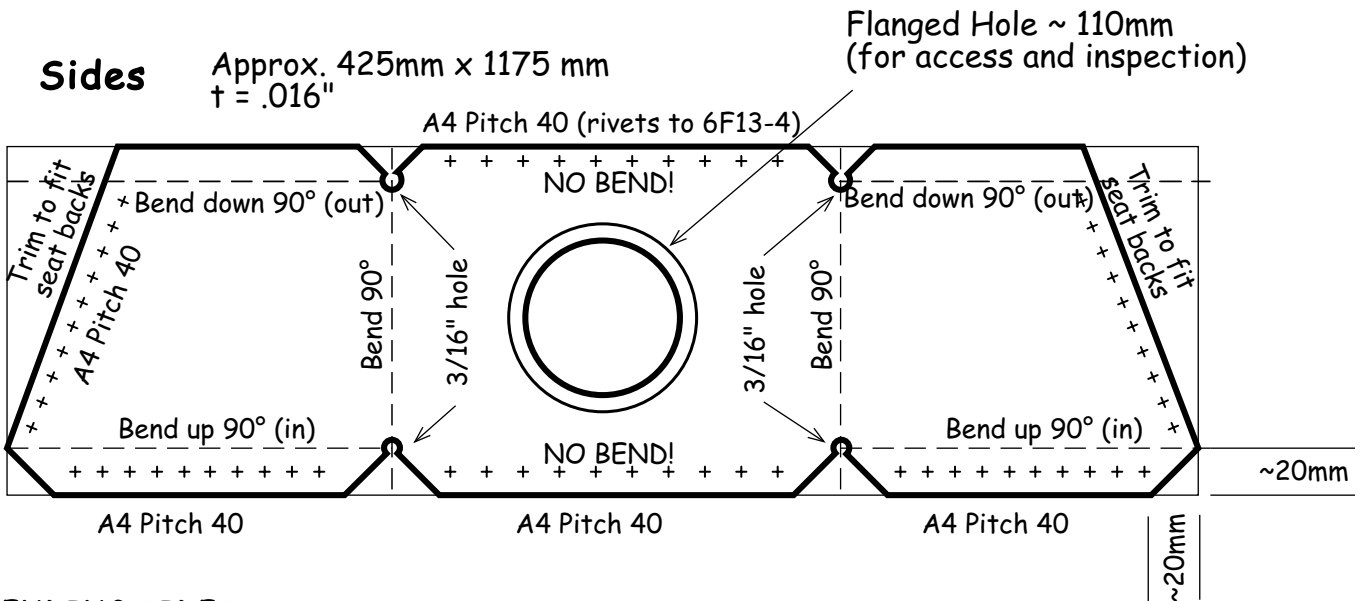
# Baggage Floor

Approx. 430mm x 480 mm  
 † = .025"



# Sides

Approx. 425mm x 1175 mm  
 † = .016"



## BENDING SIDES:

1. Bend 2 vertical bends in brake to fit around baggage floor
2. Bend bottom flanges in 90° in (clamp to table and hammer up)
3. Bend top flanges out 90° (clamp to table and hammer down)

# CH 601 Aux Baggage Compartments

2001 Michael D. Mossman